

## Applications

- Quick and easy installation of services adjacent to concrete walls

## Advantages

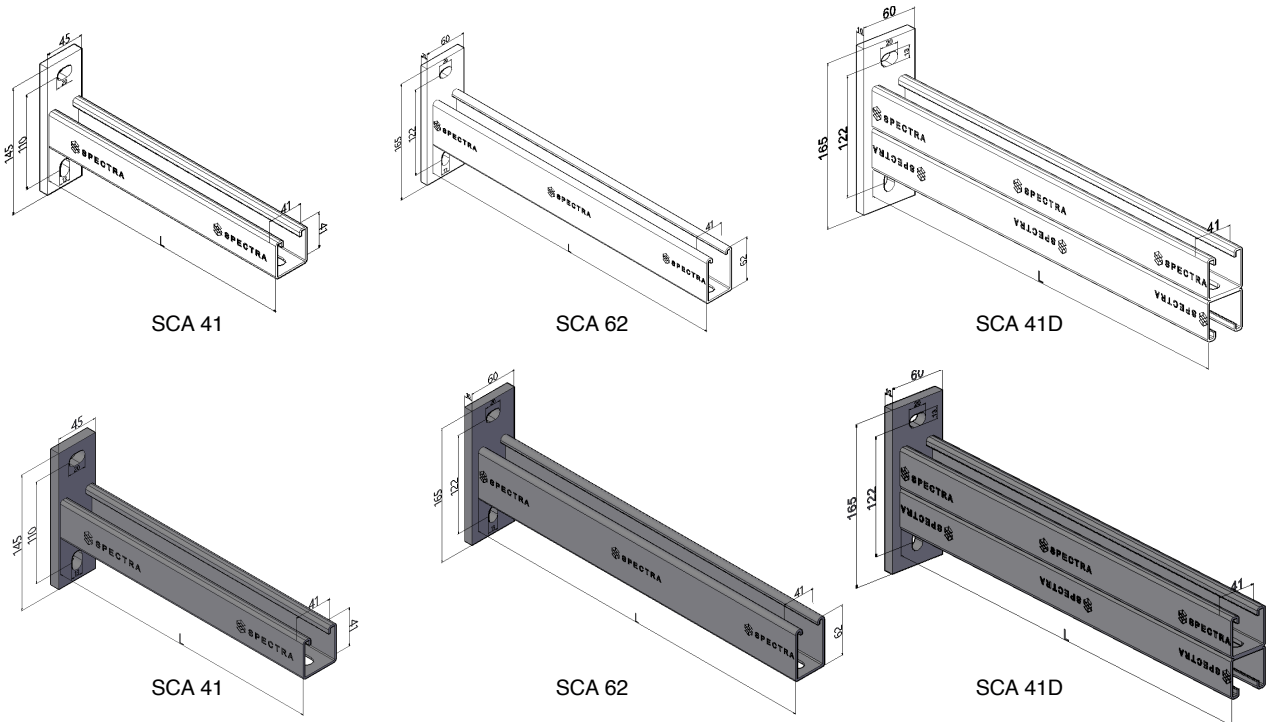
- Strut arm with welded Base Plate profile holds allows easy fixing to base concrete wall
- Designed cantilever arm used to carry medium load installation applications
- The stamped teeth in the rail gives the sliding nuts a high shear load carrying capacity such as for vertical installation

## Properties

**Standards**  
EN 10346

**Material**  
Steel

**Finish**  
Electro Zinc Plated GI /  
Hot dip galvanized HDG /  
Stainless Steel A4



## Technical Data

### Electro Zinc Plated Cantilever Arm

Item	Art number	For Channel Sizes (mm)	Sales Unit (Pcs)
SCA 41x300 - GI	554130	41x2.0, 41x2.5	1
SCA 41x450 - GI	554145	41x2.0, 41x2.5	1
SCA 41x600 - GI	554160	41x2.0, 41x2.5	1
SCA 62x600 - GI	556260	62x2.5	1
SCA 62x750 - GI	556275	62x2.5	1
SCA 62x1000 - GI	5562100	62x2.5	1
SCA 41Dx750 - GI	55414175	41Dx2.5	1
SCA 41Dx1000 - GI	554141100	41Dx2.5	1

**Note:**  
Hot Dip Galvanized & Stainless Steel Finishes are available upon request